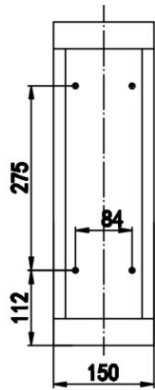
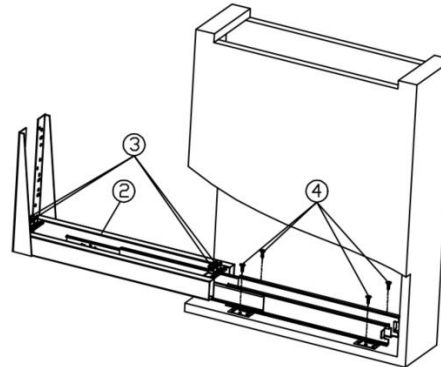


### Installation In 150 mm Wide Cabinets:

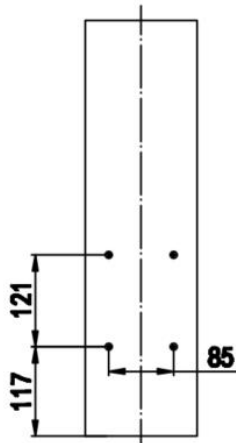
Step 1: Mark the mounting holes on the bottom board of the cabinet as shown.



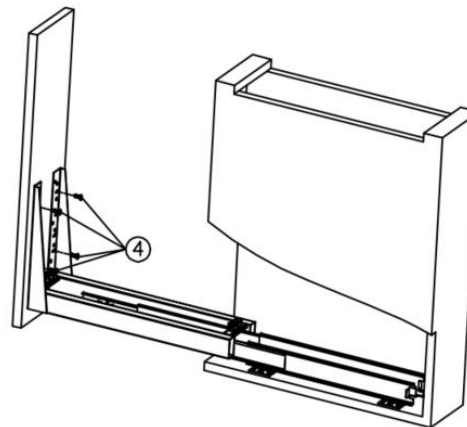
Step 2: Fix the base frame on the bottom board of the cabinet with screws as shown.



Step 3: Mark the mounting holes on the cabinet door as shown.



Step 4: Fix the base frame on the door with screws.



Step 5: Install the organizer frame on the base frame as shown.

