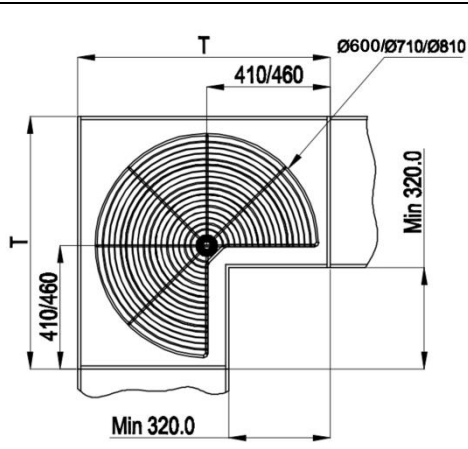
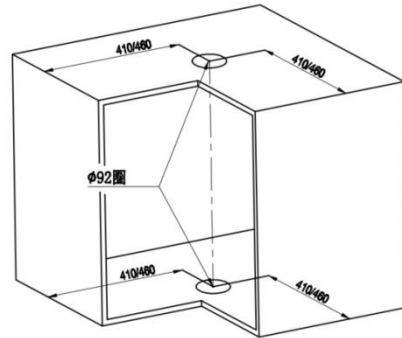


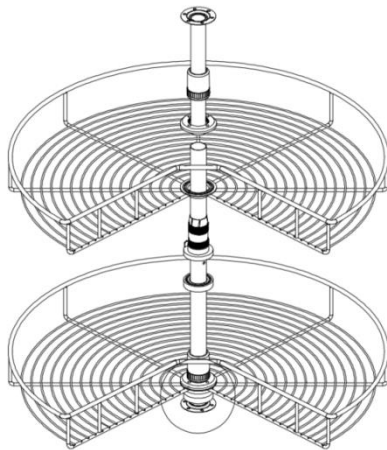
[INSTALLATION GUIDE]



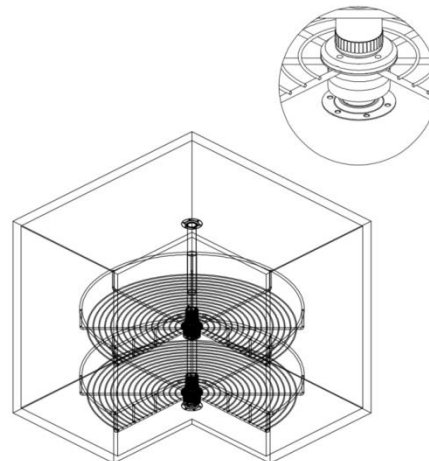
Step 1: Draw two auxiliary circles on the top and bottom plates as shown.



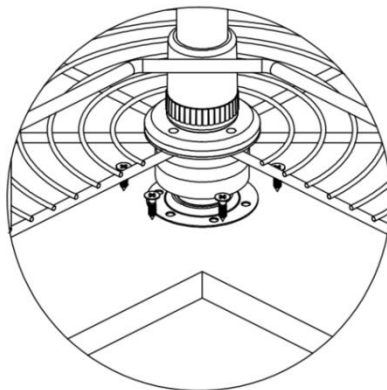
Step 2: Assemble the basket onto the tube. Please pay attention to the order of the plastic parts.



Step 3: Place the basket in the cabinet based on the auxiliary center point and adjust the angle of the basket.



Step 4: Fix the top and bottom of the tube base with ten ST3.5*16 screws.



Step 5: Adjust the height of the basket to a proper position with the bolt and tighten the plastic parts.

