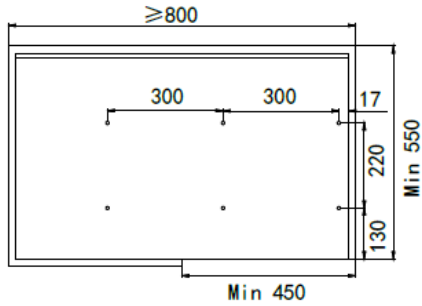
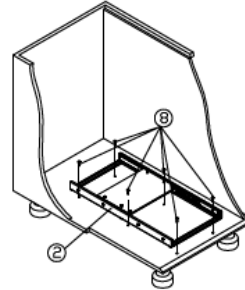


【INSTALLATION GUIDE】

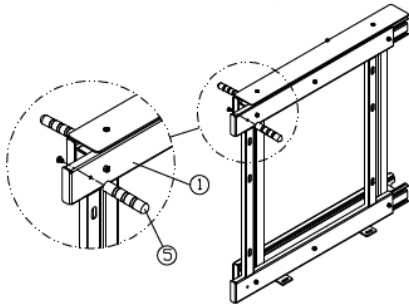
Step1: Position the installation hole on the bottom plate of the cabinet as shown in the drawing



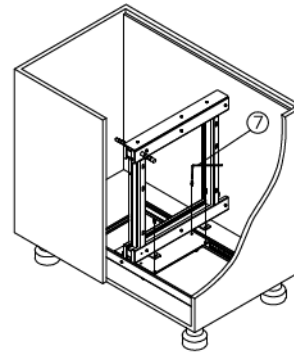
Step2: The base frame is aligned with the fixed mounting hole on the base plate and is screwed tight.



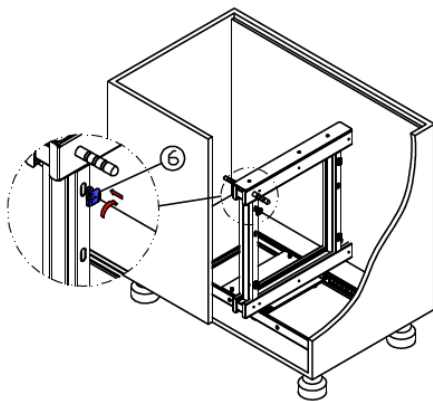
Step3: Press the handle as shown in the drawing.



Step4: Loosen the hexagon socket screw on the base frame, install the main frame on the base frame and lock the screw as shown in the picture.



Step5: Install plastic hooks as shown.



Step6: As shown on the left install large basket and small basket on right side.

