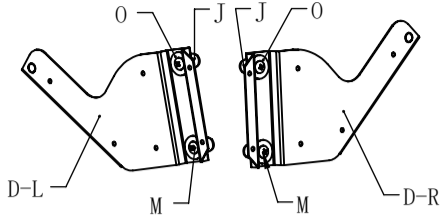
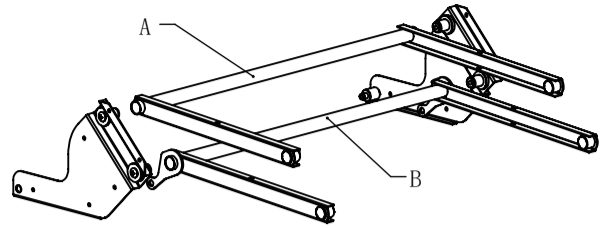


PTJ018V/V1/V2/V3 Pull Down Shelf Installation Instructions

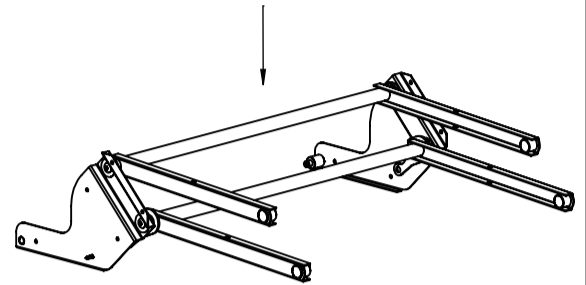
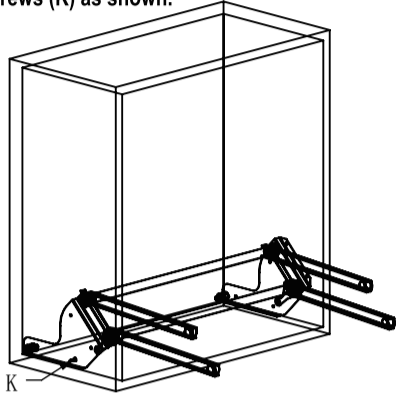
Step 1. Assemble the left and right base brackets (D-L, D-R) using 4 axle sleeves (J), 4 M6*20 screws (M) and 4 flat washer (O) as shown.



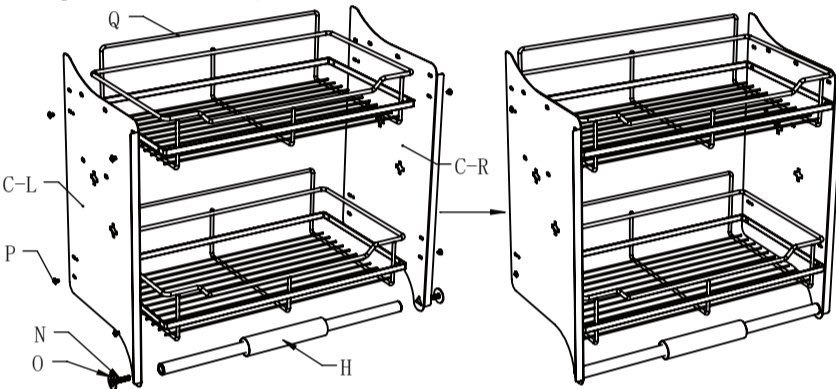
Step 2. Attach the lifting rods (A, B) to the left and right base brackets (D-L, D-R) as shown.



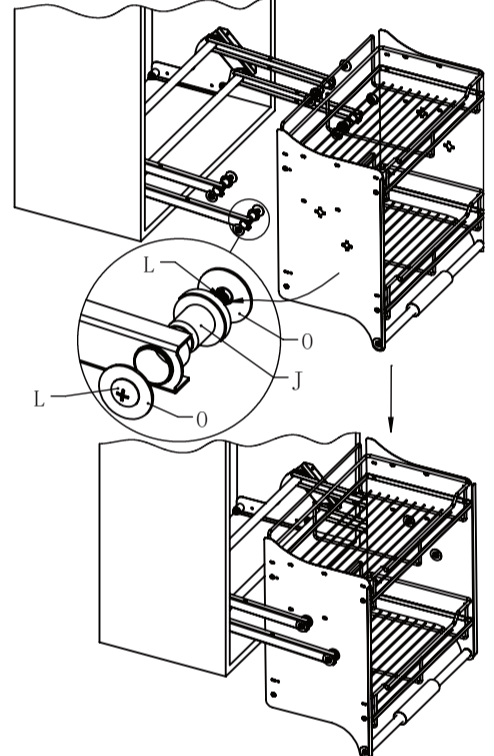
Step 3. Mount the assembled base brackets (step 2) to the side panel of the cabinet using 12 ST4.0*16 screws (K) as shown.



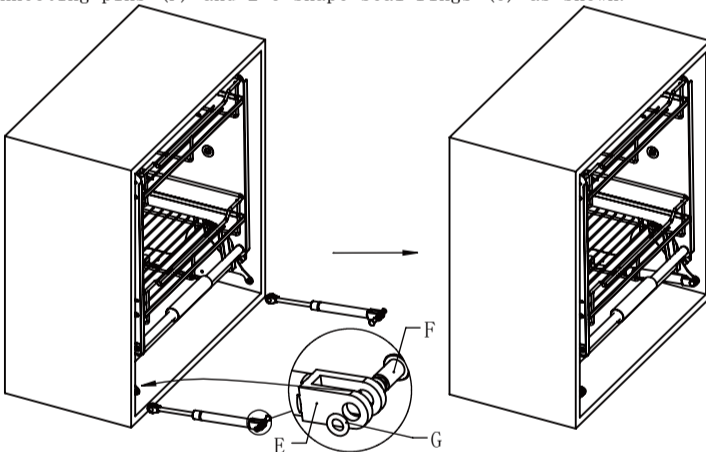
Step 4. Attach two wire baskets (Q) and the handle (H) to the side panels (C-L, C-R) using 2 M6*30 screws (N), 2 flat washers (O) and 8 M4*5 screws (P) as shown.



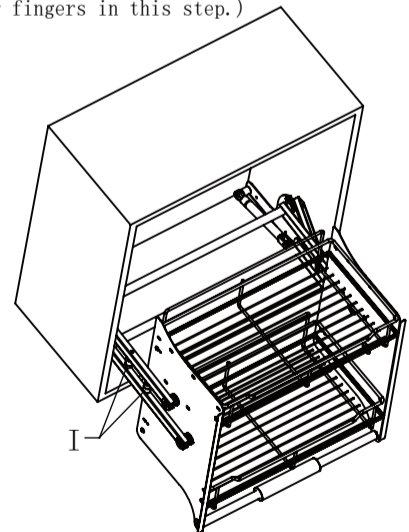
Step 5. Mount the assembly (step 4) to the base brackets (step 3) using 4 axle sleeves (J), 8 M6*12 screws (L) and 8 flat washers (O) as shown.



Step 6. Mount 2 pneumatic rods (E) to the base brackets (D-L, D-R) using 2 connecting pins (F) and 2 o-shape seal rings (G) as shown.



Step 7. Mount 4 rubber cushions (I) on the lifting rods (A, B) as shown. (Attention: Please be careful and do not crush your fingers in this step.)



Installation Complete

