

# Dish Rack

## 【PRODUCT NAME】

2 Tier Dish Rack

## 【PRODUCT DESCRIPTION】

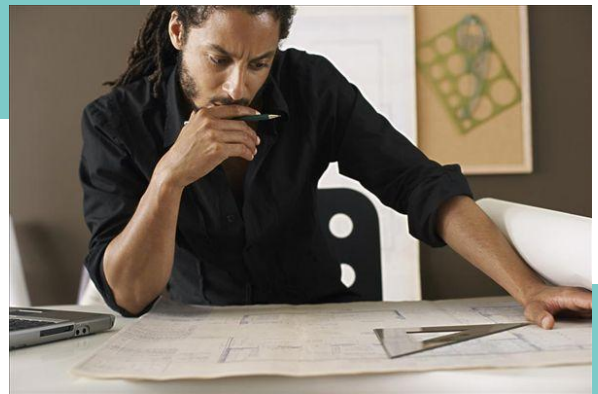
This is a cabinet dish rack with a drip tray at the bottom. The double tier design enables cutlery to be air-dried and make it easy to clean the cabinet.



## DESIGN CONCEPT

Generally speaking, people are accustomed to putting the cutlery in the kitchen cabinet. However, if the cutlery is not dried in time and put into the wet and airless cabinet after cleaning, it is easy to breed bacteria and leave water stains in the cabinet.

This cabinet dish rack is convenient for people to wash dishes. It provides a one-stop solution, that is, plates can be put in the top rack and bowls can be placed in the bottom rack. The double tier design enables cutlery to be air-dried quickly, thus saving electricity and money, and ensuring healthy eating. And the drip tray at the bottom is easy to clean.

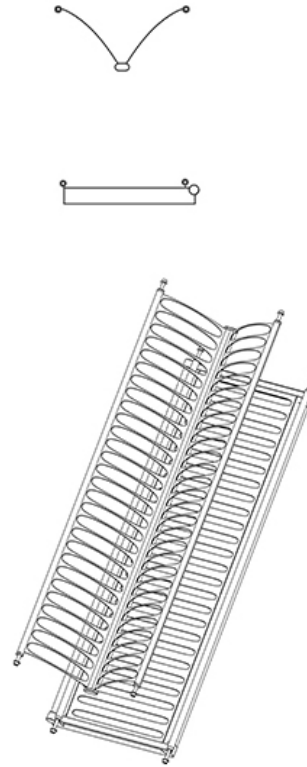
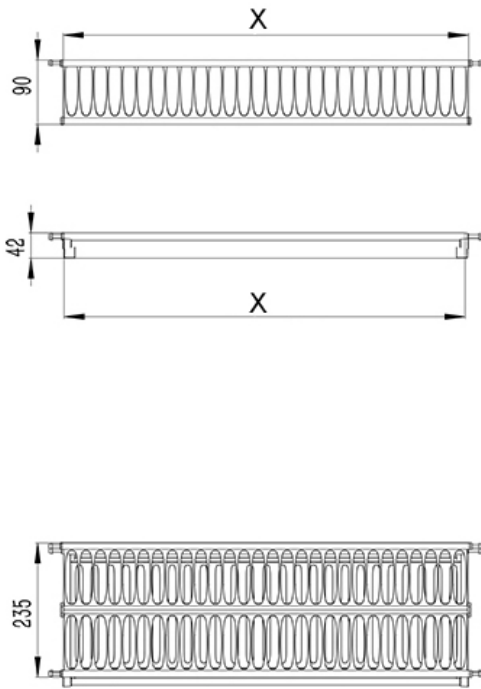


## PRODUCT FEATURES

- :: Stainless steel and various sizes suitable for cabinets with different widths.
- :: Double layer design: the upper tier can hold up to 36 pieces of plates and the bottom tier can hold up to 80 pieces of bowls. With the draining tray at the bottom, the water on the cutlery will not drop, keeping the cabinet clean.
- :: Spring design on both sides of the upper and bottom tier to fit the cabinet.
- :: Multi-layer plating: smooth and shiny surface with strong rust and oxidation resistance.
- :: Laser welding: exquisite craftsmanship, burr-free surface, smooth and solid welding joints, well-matched wires.



# PRODUCT SPECIFICATIONS



NO.	SKU	Cabinet Width (mm)	X (mm)	Quantity of Grooves of Upper Tier	Product Size (mm)
1	22.22.90100200	500	465	16	D280*W465*H65
2	22.22.90100300	600	565	20	D280*W565*H65
3	22.22.90100400	700	665	24	D280*W665*H65
4	22.22.90100500	800	765	28	D280*W765*H65
5	22.22.90100600	900	865	32	D280*W865*H65
6	22.22.90100700	1000	965	36	D280*W965*H65

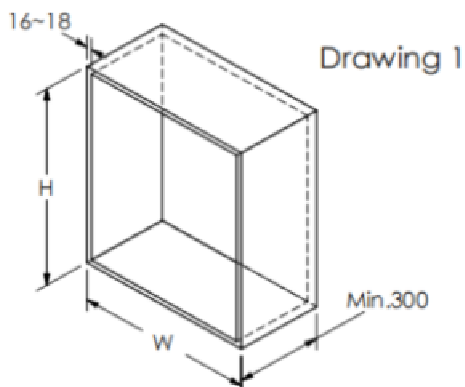
## NOTES FOR ORDERING

Please select the appropriate dish rack according to the width of the cabinet.

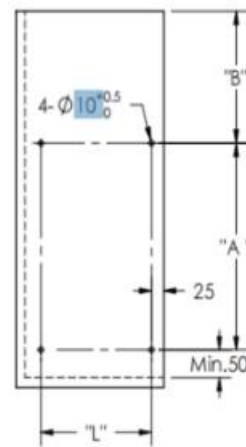


# INSTALLATION GUIDE

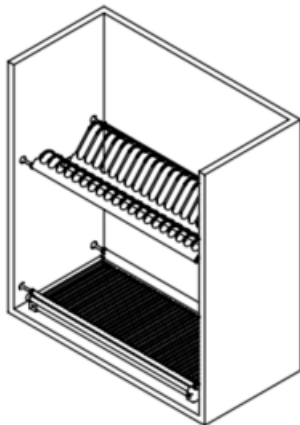
Step 1: Choose the cabinet with proper width.





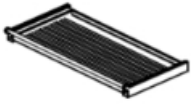
Step 2: Drill 4 holes on both sides of the cabinet with a diameter of  $\Phi 10$  and a depth of 7-9mm.



Step 3: Install the upper and bottom dish racks on the cabinet respectively as shown below.



# PACKING LIST

No.	Parts Name	Picture	Quantity
1	Bottom Rack		1
2	Upper Rack		1
3	Drip Tray		1



# SHIPPING INFORMATION

SKU	Sets/ CTN	Net Weight/ CTN (kg)	Gross Weight/ CTN (kg)	Package Size (mm)	Sets/ 20 GP	Sets/ 40 GP	Sets/ 40 HQ
22.22.90100200	5	6.9	8.6	540*310*300	2500	5400	6400
22.22.90100300	5	7.7	9.2	640*310*300	2100	4550	5400
22.22.90100400	5	8.9	10.9	740*310*300	1800	3950	4650
22.22.90100500	5	10	12.2	840*310*300	1600	3450	4100
22.22.90100600	5	11	13.4	940*310*300	1450	3100	3650
22.22.90100700	5	12.1	14.7	1040*310*300	1300	2800	3300

The above container load quantity is the reference value.

