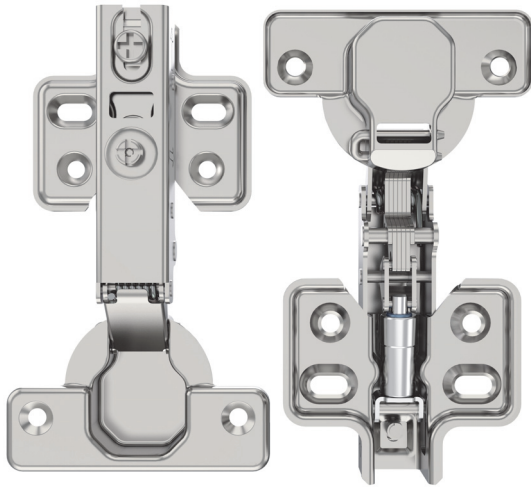


72g Soft Close 4 Holes Concealed Hinge



【PRODUCT NAME】

72g Soft Close 4 holes Concealed Hinge

【PRODUCT DESCRIPTION】

This hinge is one of the most widely used cabinet hardware. According to installation methods, there are three types: full overlay hinge, half overlay hinge, and inserted hinge. This product comes with hydraulic damping function.

FULL
OVERLAY



HALF
OVERLAY



INSERTED



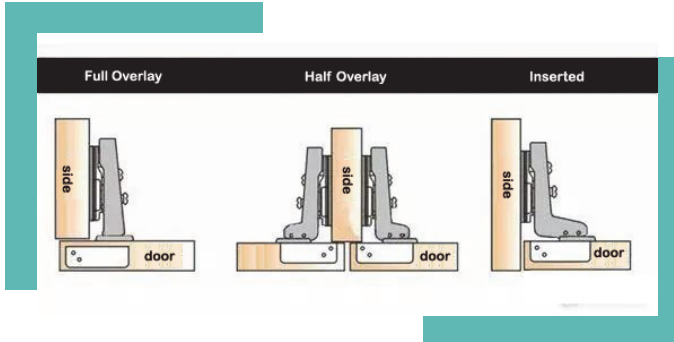
QUALITY CONTROL

【KEY POINTS】

- :: Appearance: no defects such as rough plating, bubbles, pin holes, peeling, cracks, stains, discoloration, and partial absence of plating, etc. Slight oil stains on the hinge and the situation that non-major surfaces are slightly rough and uneven in color are permissible.
- :: Usability: No jamming or friction sound when opening and closing the hinge.
- :: Adjustable: The hinge can be adjusted in the range of $\pm 2\text{mm}$ from front to back, left to right, and up to down.
- :: Opening Angle: The angle of the open hinge shall not be less than 95° .



PRODUCT FEATURES



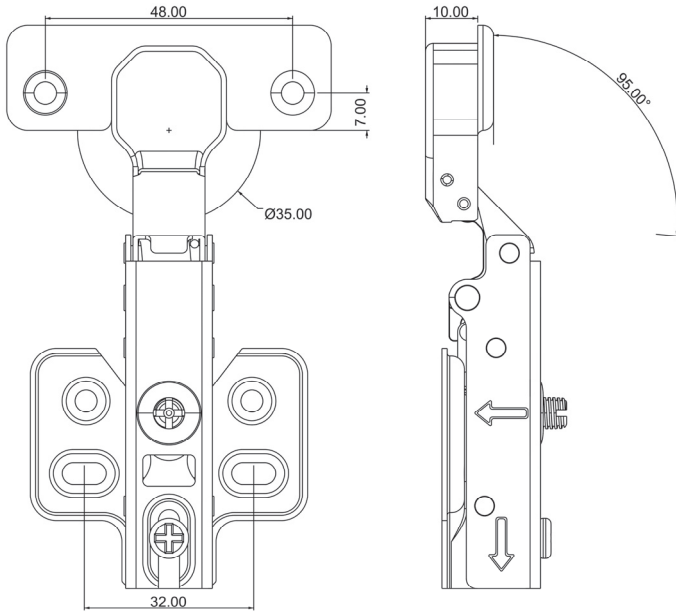
【PRODUCT FEATURES】

- :: Three types of 35Φ fix type hydraulic hinge: full overlay hinge, half overlay hinge, and inserted hinge. A customized logo is acceptable.
- :: High-quality steel and strengthened spring for long service life. A soft damper helps to close the door automatically when the door is within a certain angle.
- :: Multi-layer nickel plating of the product surface with strong corrosion resistance and anti-oxidation ability.
- :: Accurate size and outstanding product consistency come from automated production lines.
- :: Suitable for use on the doors of cabinets.

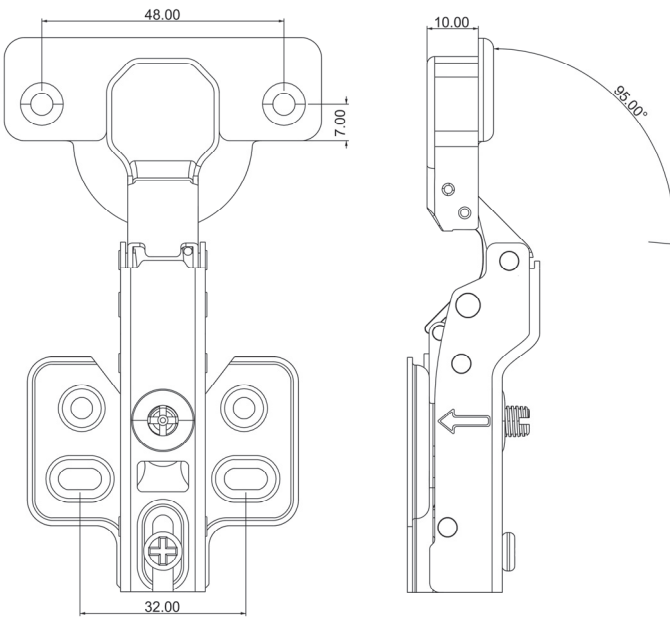
PRODUCT SPECIFICATIONS

Product Name	72g Soft Close 4 holes Concealed Hinge
Type	Full overlay, half overlay, inserted
Material	Steel
Surface Treatment	Nickel plating
Diameter of Hinge Cup	35 mm
Opening Angle	95°
Door Thickness	14-24 mm
Optional Base	4 holes

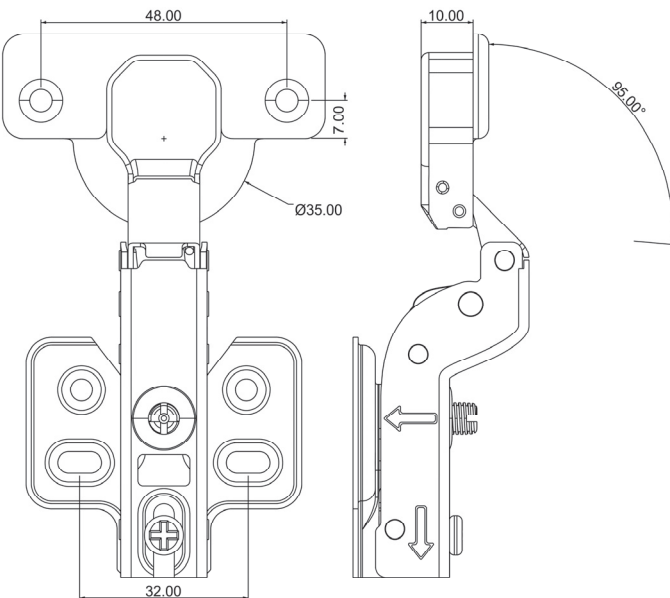
SKU	Product Name	Net Weight (g)	Opening Angle
44.42.00100731	72g Soft Close 4 holes Concealed Hinge	72 ₋₂	95°
44.42.00100732	72g Soft Close 4 holes Concealed Hinge	72 ₋₂	95°
44.42.00100733	72g Soft Close 4 holes Concealed Hinge	72 ₋₂	95°



FULL OVERLAY



HALF OVERLAY



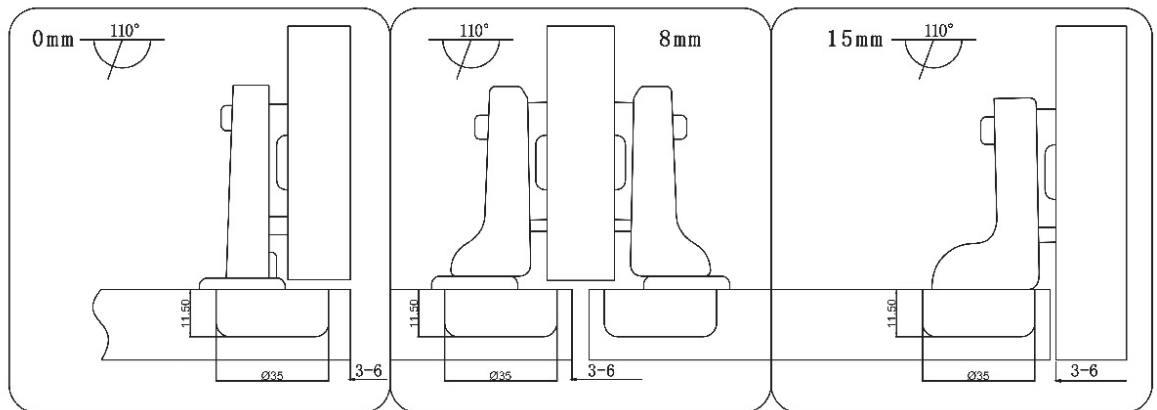
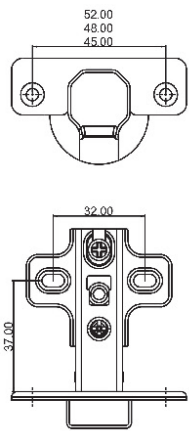
INSERTED

NOTES FOR ORDERING

::OEM and customized logo are acceptable.



INSTALLATION GUIDE



FULL OVERLAY

HALF OVERLAY

INSERTED

SHIPPING INFORMATION

SKU	PC(s)/CTN	Net Weight/CTN (kg)	Gross Weight/CTN (kg)	Package Size (mm)	Sets/20 GP	Sets/40 GP	Sets/40 HP
44.42.00100731	200	14.4	14.9	450*260*155	228000	308000	349000
44.42.00100732	200	14.4	14.9	450*260*155	228000	308000	349000
44.42.00100733	200	14.4	15.0	450*260*175	226000	306000	346000

The above container load quantity is the reference value.

