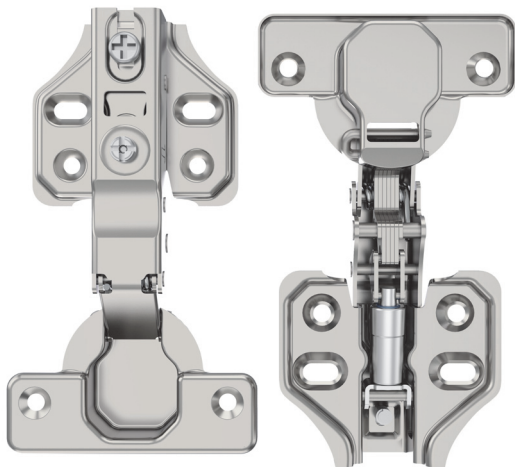


## 74g Soft Close 4 holes Butterfly Plate Concealed Hinge



### 【PRODUCT NAME】

74g Soft Close 4 Holes Butterfly Plate Concealed Hinge

### 【PRODUCT DESCRIPTION】

This is one of the most widely used cabinet hardware. According to installation methods, there are three types: full overlay, half overlay, and inserted hinge, and with wing-type base. This product comes with hydraulic damping function.

FULL  
OVERLAY



HALF  
OVERLAY



INSERTED



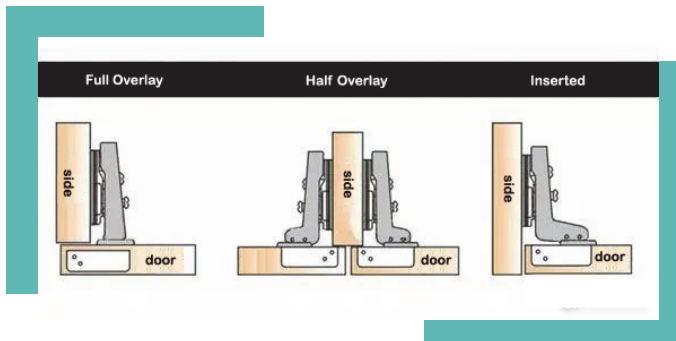
## QUALITY CONTROL

### 【KEY POINTS】

- :: Appearance: no defects such as rough plating, bubbles, pin holes, peeling, cracks, stains, discoloration, and partial absence of plating, etc. Slight oil stains on the hinge and the situation that non-major surfaces are slightly rough and uneven in color are permissible.
- :: Usability: No jamming or friction sound when opening and closing the hinge.
- :: Adjustable: The hinge can be adjusted in the range of  $\pm 2\text{mm}$  from front to back, left to right, and up to down.
- :: Opening Angle: The angle of the open hinge shall not be less than  $95^\circ$ .



# PRODUCT FEATURES



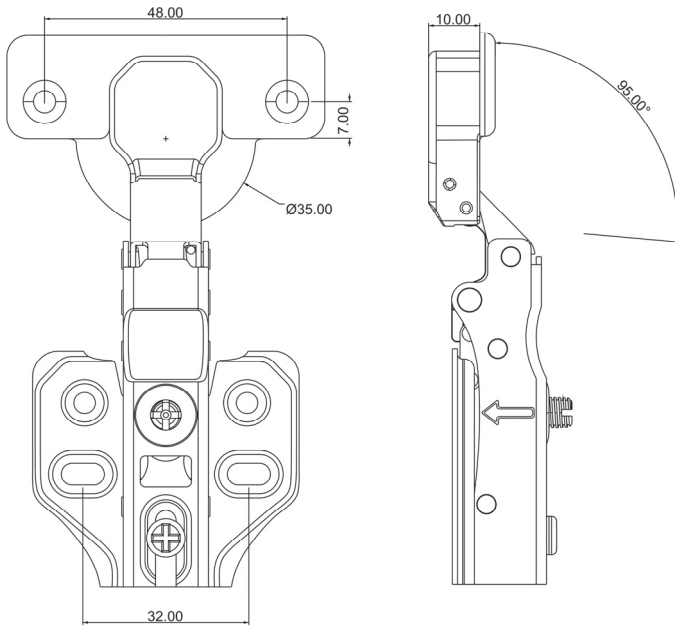
## 【PRODUCT FEATURES】

- :: Three types of 35Φ fix type hydraulic hinge: full overlay hinge, half overlay hinge, and inserted hinge. A customized logo is acceptable.
- :: High-quality steel and strengthened spring for long service life. A soft damper helps to close the door automatically when the door is within a certain angle.
- :: Multi-layer nickel plating of the product surface with strong corrosion resistance and anti-oxidation ability.
- :: Accurate size and outstanding product consistency come from automated production lines.
- :: Suitable for use on the doors of cabinets.

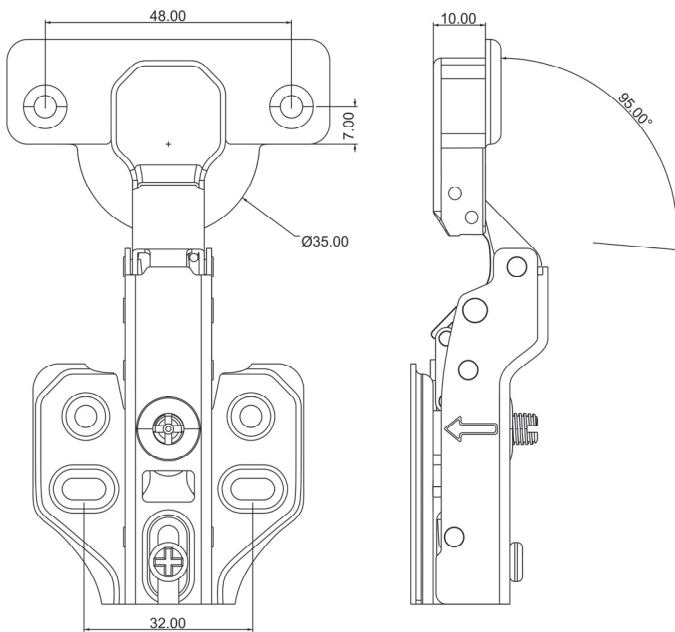
# PRODUCT SPECIFICATIONS

Product Name	74g Soft Close 4 Holes Butterfly Plate Concealed hinge
Type	Full overlay, Half overlay, Inserted
Material	Steel
Surface Treatment	Nickel plating
Diameter of Hinge Cup	35 mm
Opening Angle	95°
Door Thickness	14-24 mm
Optional Base	4 holes

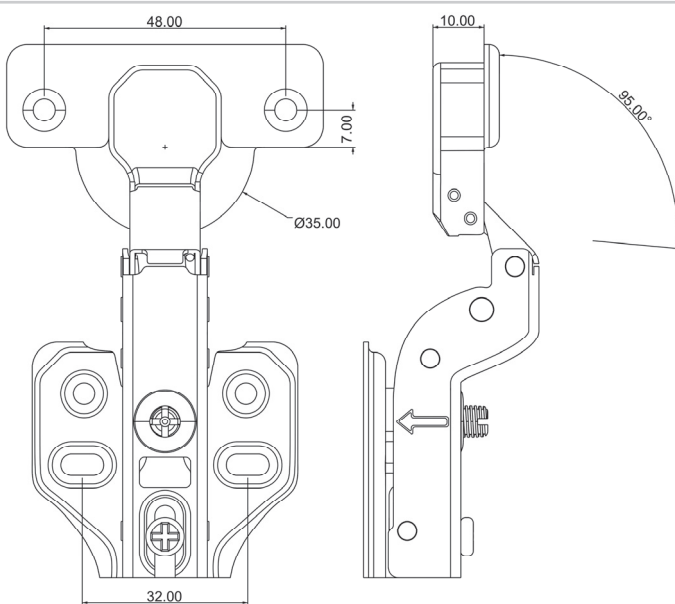
SKU	Product Name	Net Weight (g)	Opening Angle
44.42.00100711	74g Soft Close 4 Holes Butterfly Plate Concealed Hinge-Full Overlay	74±2	95°
44.42.00100712	74g Soft Close 4 Holes Butterfly Plate Concealed Hinge-Half Overlay	74±2	95°
44.42.00100713	74g Soft Close 4 Holes Butterfly Plate Concealed Hinge-Inserted	74±2	95°



FULL OVERLAY



HALF OVERLAY



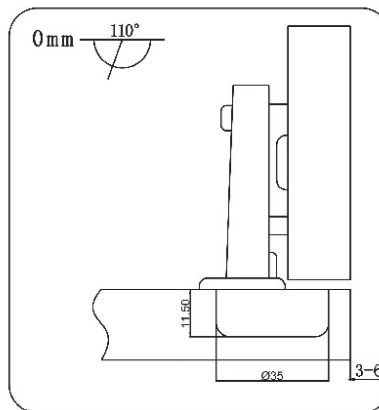
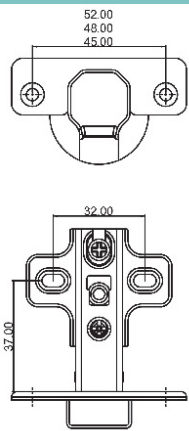
INSERTED

# NOTES FOR ORDERING

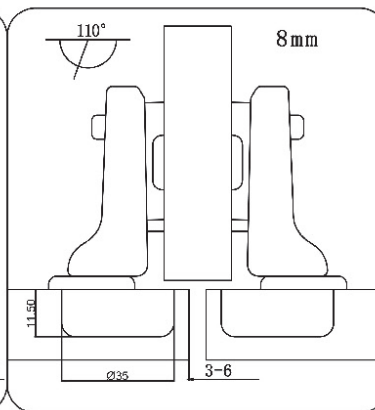
:: OEM and customized logo are acceptable.



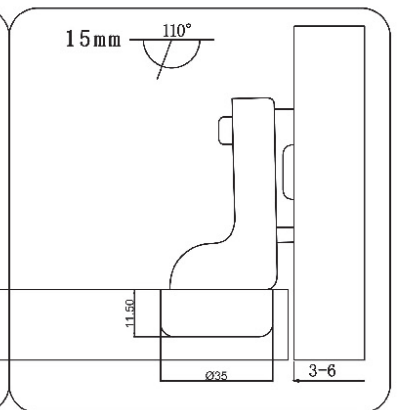
# INSTALLATION GUIDE



FULL OVERLAY



HALF OVERLAY



INSERTED

# SHIPPING INFORMATION

SKU	PC (s)/ CTN	Net Weight/ CTN (kg)	Gross Weight/ CTN (kg)	Package Size (mm)	Sets/ 20 GP	Sets/ 40 GP	Sets/ 40 HP
44.42.00100711	200	14.8	15.3	450*260*155	222000	300000	340000
44.42.00100712	200	14.8	15.3	450*260*155	222000	300000	340000
44.42.00100713	200	14.8	15.4	450*260*175	220000	298000	337000

The above container load quantity is the reference value.

