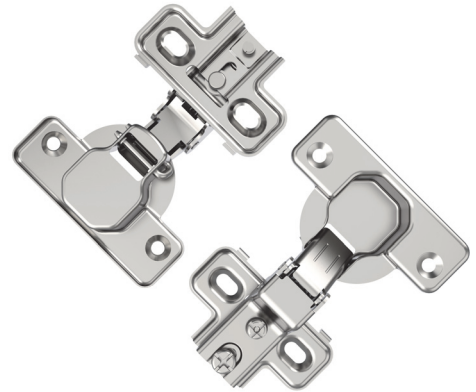


50g Two-Way 2 Hole Short Arm Concealed Hinge

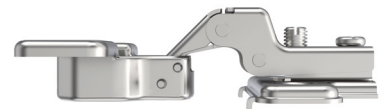
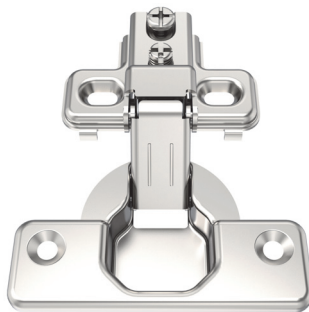
【PRODUCT NAME】

50g Two-Way 2 Holes Short Arm Concealed Hinge



【PRODUCT DESCRIPTION】

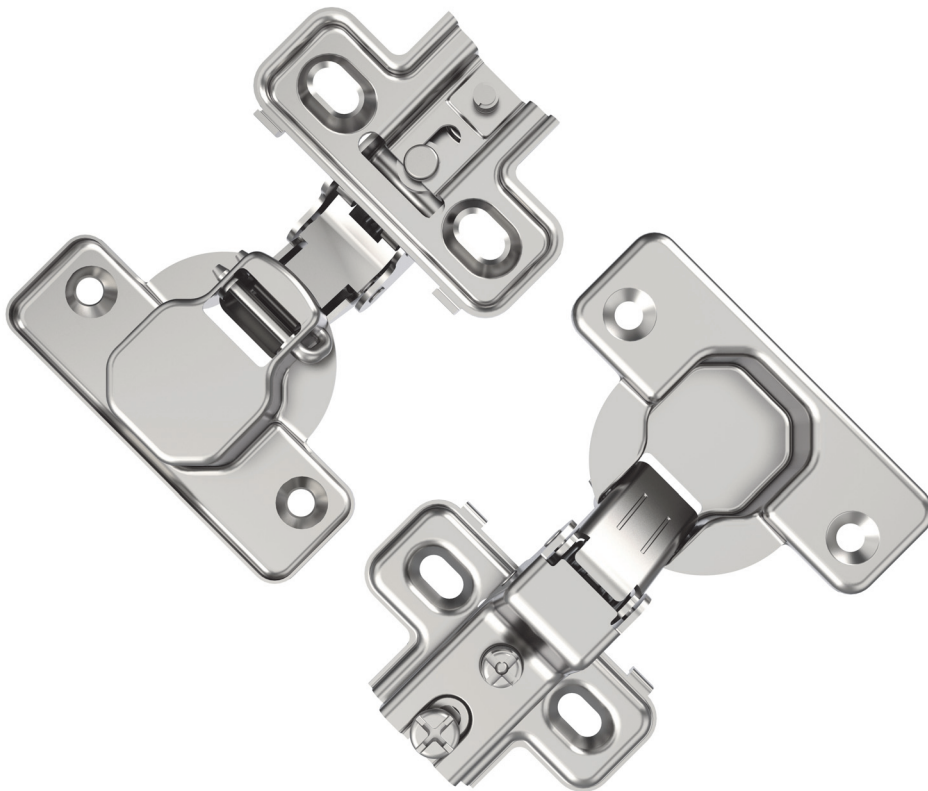
- :: The type of this two-way side-on short arm hinge is half overlay.
- :: High-quality steel and strengthened spring for long service life.
- :: Nickel-plated finish makes strong corrosion resistance and anti-oxidation ability.
- :: This short arm hinge is without a hydraulic mechanism.
- :: Designed for face frame cabinets and aluminum framed cabinets.



QUALITY CONTROL

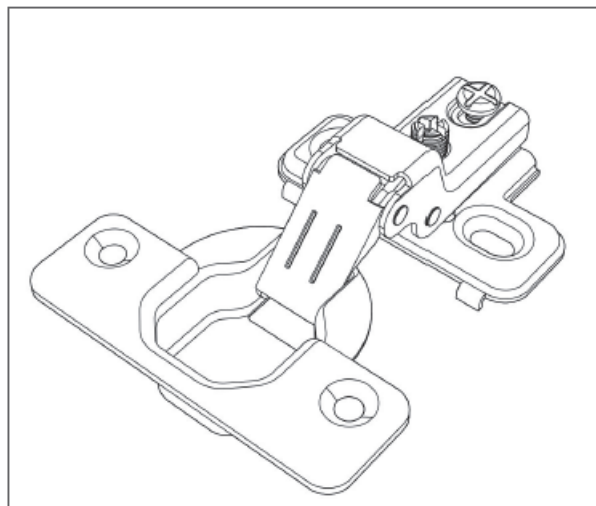
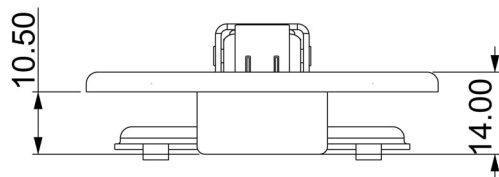
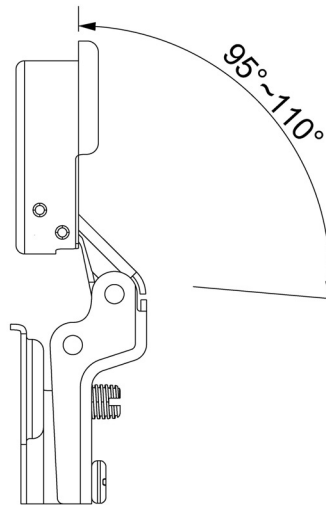
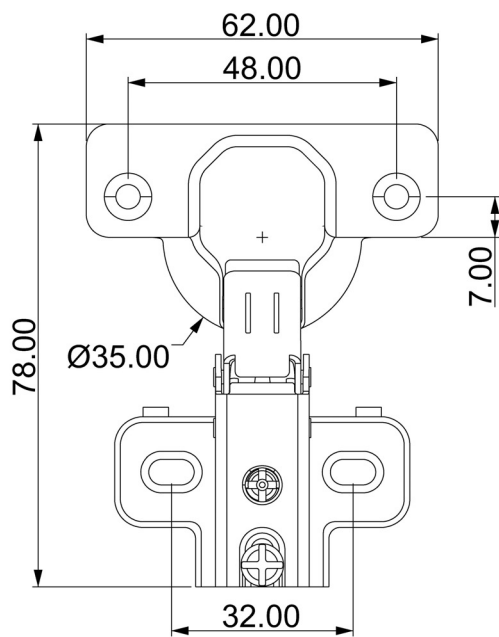
【KEY POINTS】

- :: Appearance: no defects such as rough plating, bubbles, pinholes, peeling, cracks, stains, discoloration, and partial absence of plating, etc. Slight water stains on the hinge and the situation that non-major surfaces are slightly rough and uneven in color are permissible.
- :: Usability: No jamming or friction sound when opening and closing the hinge.
- :: Adjustability: The 2-way hinge can be adjusted in the range of $\pm 2\text{mm}$ from front to back, left to right, and up to down.
- :: Opening Angle: The angle of the opening short arm hinge shall not be less than 110° .



PRODUCT SPECIFICATIONS

Cup Diameter	35 mm
Cup Depth	10.5 mm
Hole Pitch	48 mm
Material	Cold-Rolled Steel
Finish	Nickel Plated
Base	Slide On
Angle of Opening	95° -110°
Net Weight	50 ± 2 g
Door Thickness	14-24 mm



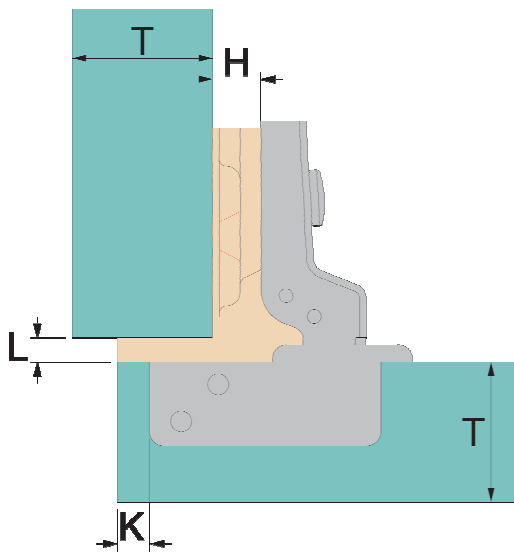
NOTES FOR ORDERING

:: This type of Hinge is without hydraulic mechanism.

:: OEM and customized logo are acceptable.



INSTALLATION GUIDE



D \ K	3	4	5	6	7
H					
-2	18	19	20	21	22
0	16	17	18	19	20
2	14	15	16	17	18
4	12	13	14	15	16

SHIPPING INFORMATION

SKU	Type	PC(s)/CTN	Gross Weight/CTN (kg)	Package Size (mm)	Sets/20 GP	Sets/40 GP	Sets/40 HP
44.42.00305102	Half Overlay	250	13.00	370*260*240	305000	442000	500000

The above container load quantity is the reference value.