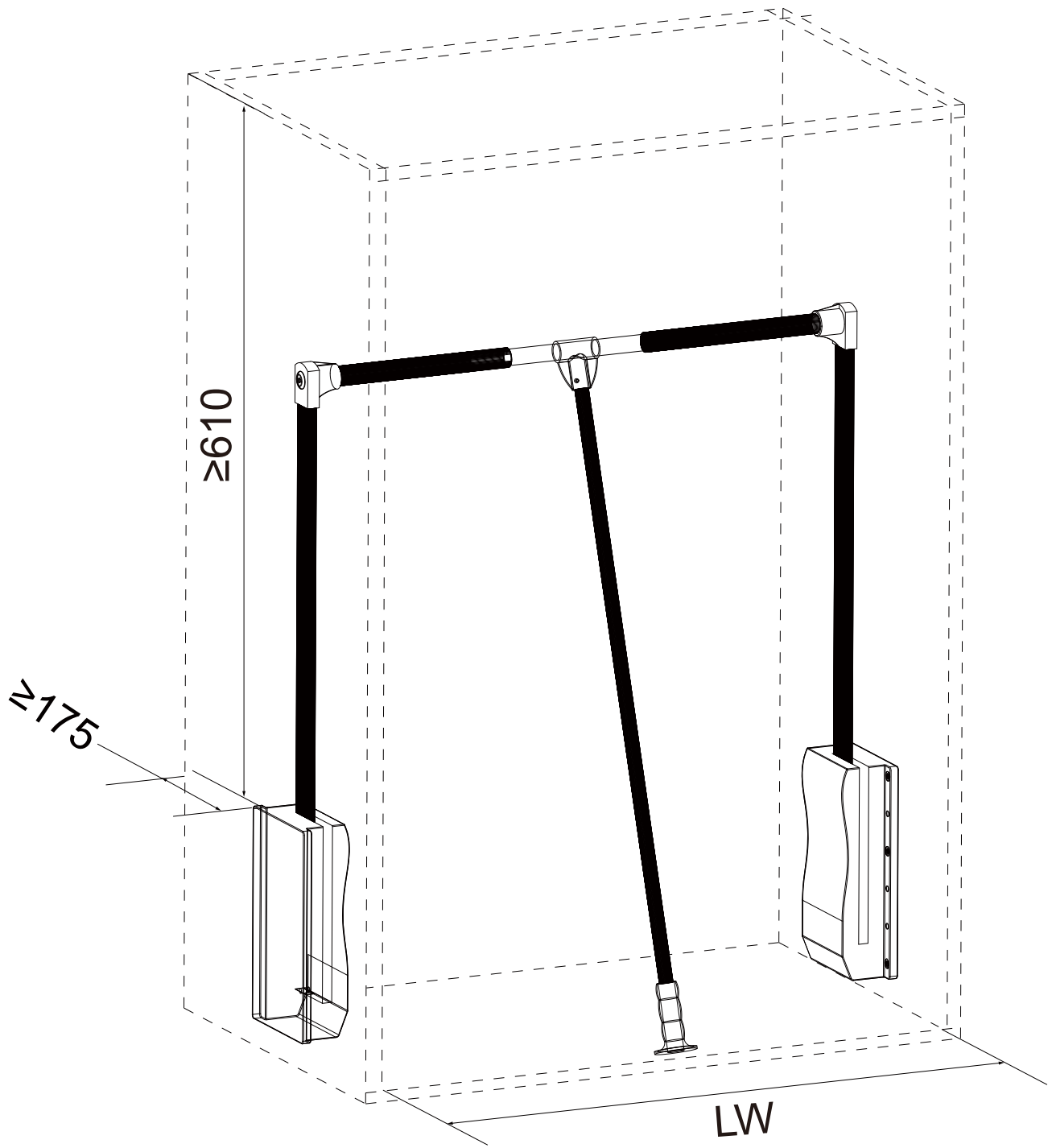
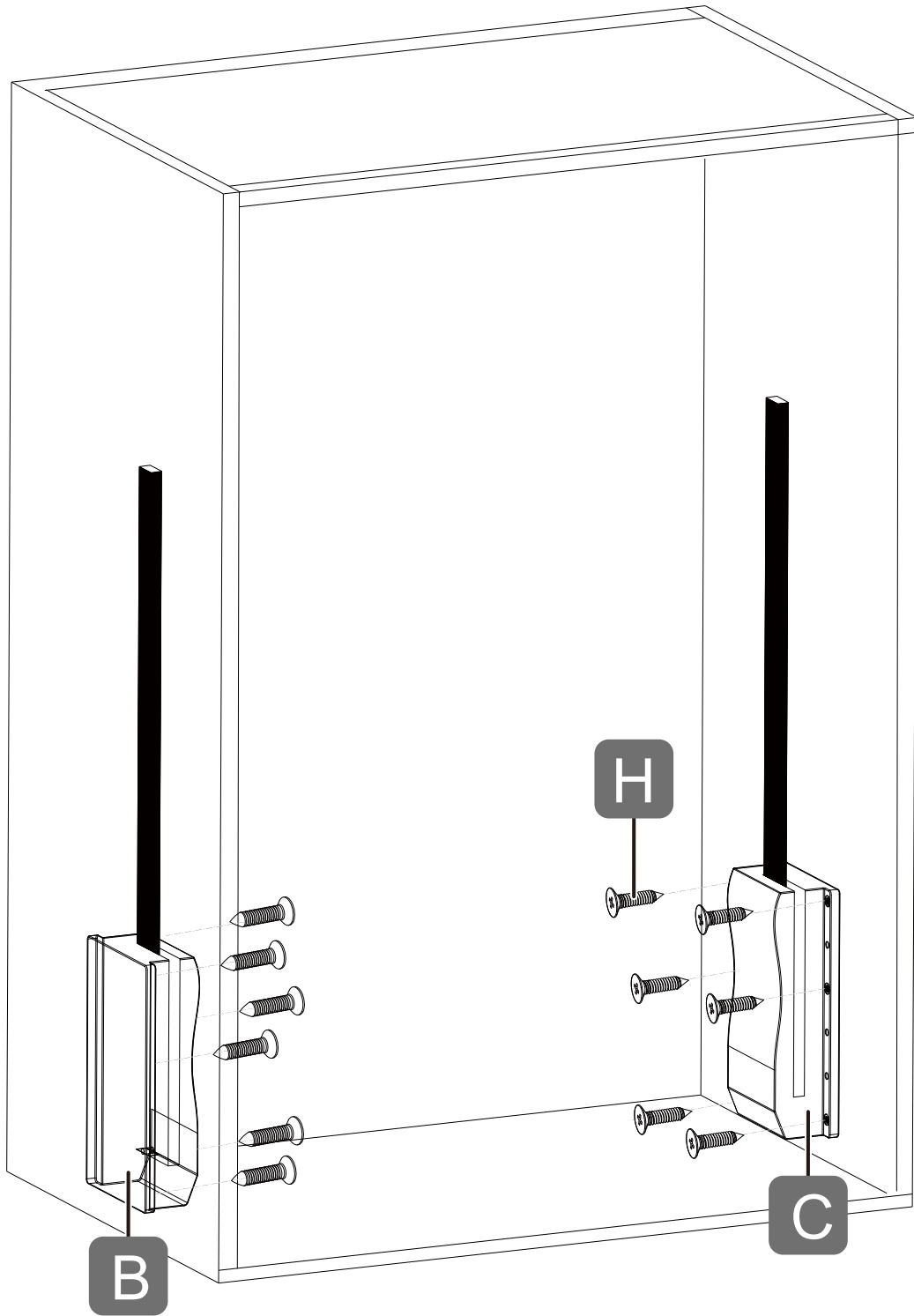


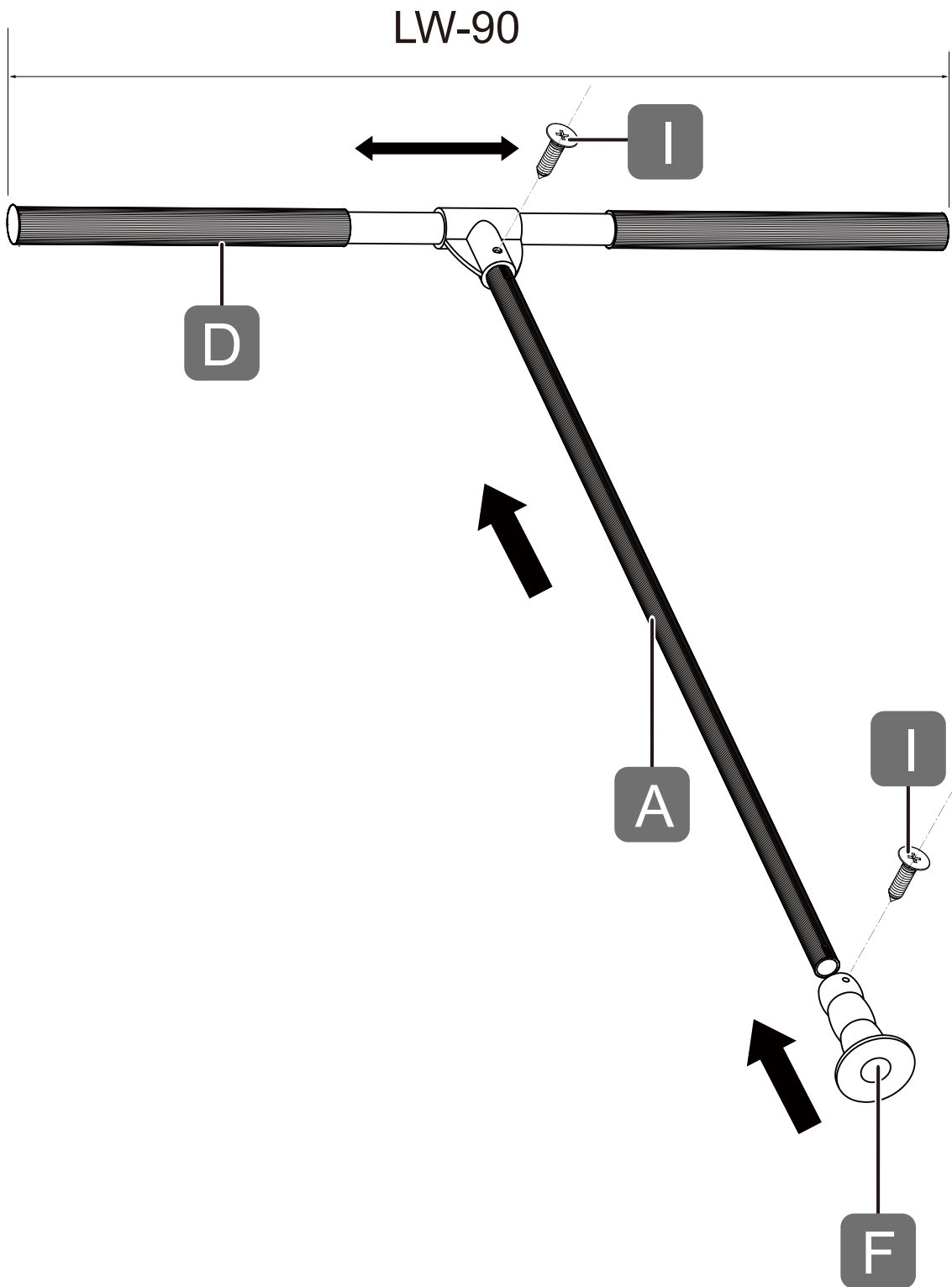
Bill of materials



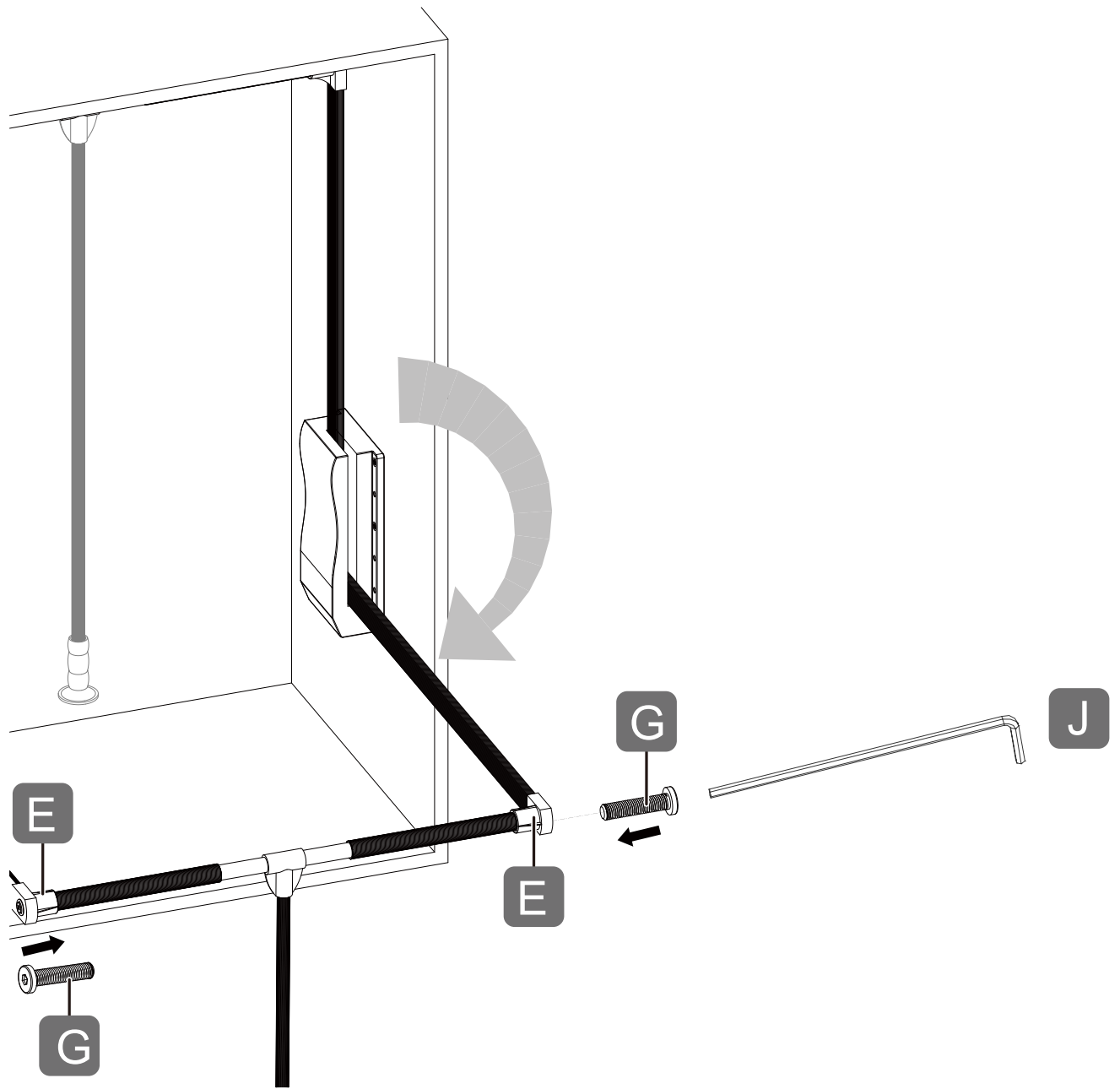
Step 1: According to the size of the wardrobe, mark the installation position of the wardrobe.



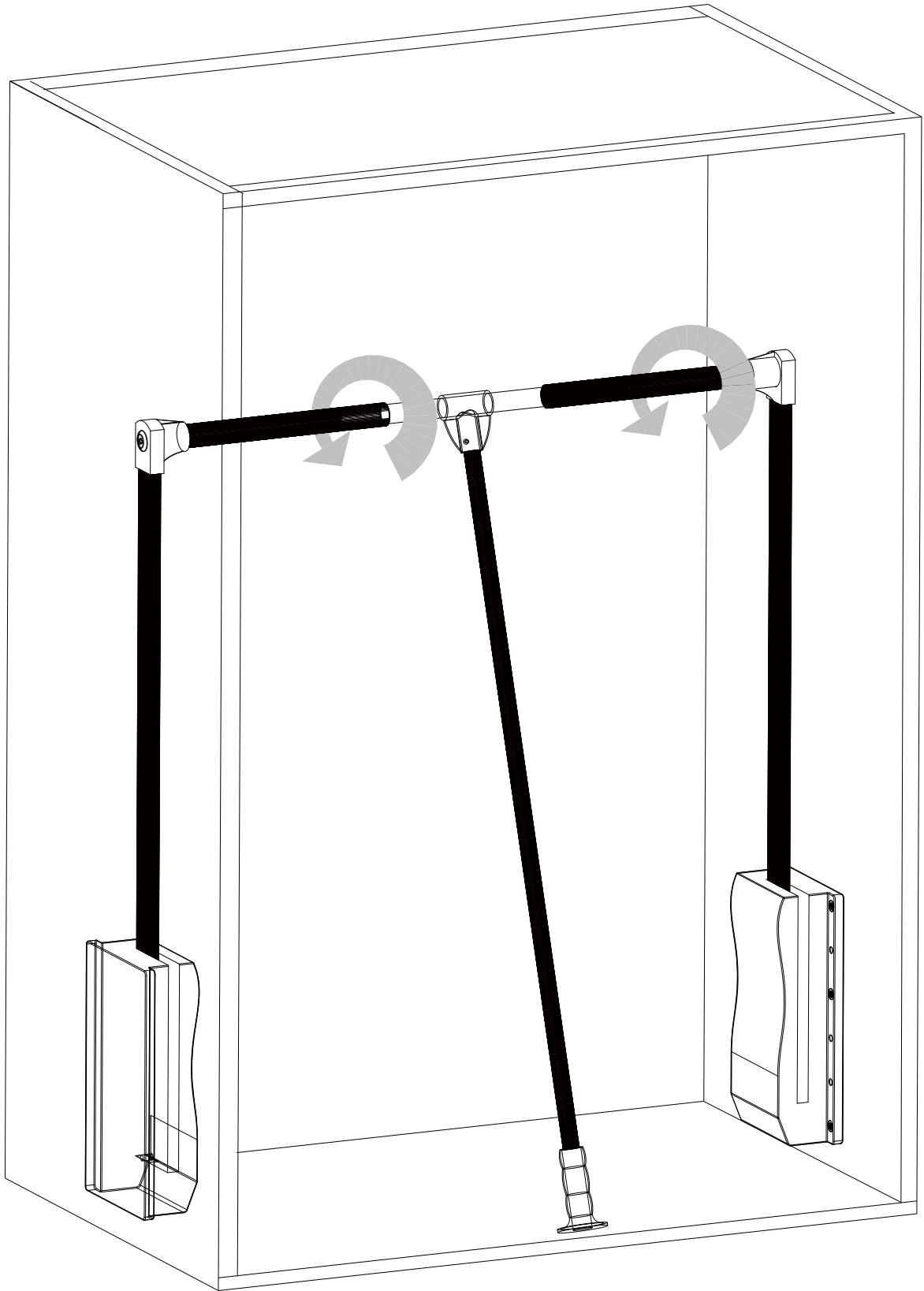
Step 2: Fix the left and right buffers with 24 screws .



Step 3: Assemble the handle and fix it with screws.
The fixing screws need to maintain the same orientation.



Step 4: Install and connect the clothes rail and the buffer, and the side with screws on the rod faces the inside of the.



Step 5: Push and pull multiple times to test the installation